

REV 6

SPECIFICATION SHEET
WARM DIM

QUIET CEILING DESIGN HIGH LUMEN RECESSED DOWNLIGHT

Housing

Aperture : Ø7" | Oversize Trim : 8" | Ceiling Cutout : 6.7"
Maximum Ceiling Thickness : 2" | Height : 8"
Weight : 13.22 lbs (New Construction), 11.02 lbs (Retrofit)

Material

Housing : Extruded Aluminum
Reflector : Flow Forming Aluminum

Power Input

40W, 60W, 80W, 100W | 120V, 277V

Lumen Output

3,000 lm (40W), 4,350 lm (60W), 6,200 lm (80W), 7,600 lm (100W)

Dimming

Superior 0-10V : dims to 1%, dims to dark
DMX : High resolution dims to 0.1%

Color Quality

CRI 85+

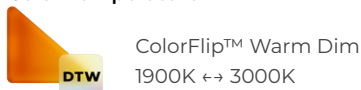
Rated Life

> 100,000 Hours (L70)

Finish



Color Temperature



Optics



Warranty

5 Year limited warranty

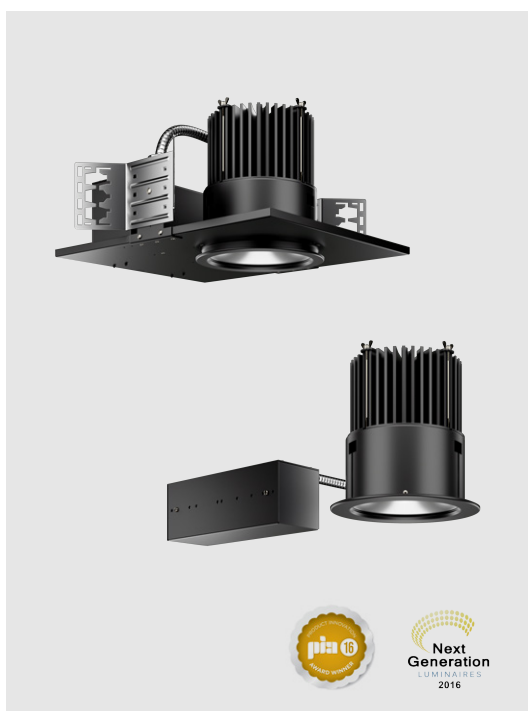
Listing



Precision Engineered For High Performance.

6-inch aperture high lumen recessed downlight utilizing Meteor Lighting's proprietary ColorFlip™ Warm Dim solution, that results in superior efficacy and heat management.

This product is compatible with all existing 0-10V and DMX control systems. Bringing ambient lighting to your spaces.



METEOR

meteor-lighting.com

SPECIFICATION

PROJECT NAME

DATE

CATALOG #

QUANTITY

The product configurator function on this page works only with the latest version of Chrome or Adobe Acrobat Reader.

<input type="text"/>	MODEL	RS6N Rev 6 New Construction	RS6R Rev 6 Retrofit
<input type="text"/>	WATTAGE	40 40W 100 100W	60 60W 80 80W
<input type="text"/>	WDIM	CCT / CRI	WDIM 1900K-3000K
<input type="text"/>	VOLTAGE	120 120V	277 277V
<input type="text"/>	DIMMING	SPV Superior 0-10V : dims to 1%, dims to dark	DMX DMX dims to 0.1% (XLR Sockets) DMXR DMX dims to 0.1% (RJ45 Sockets)
<input type="text"/>	BEAM ANGLE	40 40°	60 60° WD¹ Wide
<input type="text"/>	FINISH*	BLK Black	WHT White SSR² Semi-Specular Reflector
<input type="text"/>	ACCESSORIES	SPD³ Surge Protector SCA610⁶ Sloped Ceiling Adapter 8°-12° SCA625⁶ Sloped Ceiling Adapter 23°- 27°	DF⁴ Diffuser SCA615⁶ Sloped Ceiling Adapter 13°-17° GR8⁵ Goof Ring 8" to 10" SCA620⁶ Sloped Ceiling Adapter 18°-22°

CLEAR FORM

¹ WD option reduces delivered lumens by ~20%
² SSR is not compatible with WD, SCA610, SCA615, SCA620, SCA625
³ Surge protector for up to 10KV. Applicable for unstable mains or facilities using high power machineries
⁴ DF option reduces delivered lumens by ~12% (~20% with WD)
⁵ GR8 Includes new reflector and is not compatible with RS6N
⁶ SCA is not compatible with RS6R
 * Finish indicates trim only, with standard matte silver reflector

TECHNICAL DETAILS

Electrical

- 3,000 lm (40W), 4,350 lm (60W), 6,200 lm (80W), 7,600 lm (100W)
- Power Input : 120V or 277V
- Operating Temperature : -20°F~112°F
- Surge Protection : Built-in is 4KV
- Power Factor Greater than 0.9

LED Features

- ColorFlip™ Warm Dim 1900K ↔ 3000K
- CRI 85+
- Long lasting LED luminaire tested under TM21 lumen maintenance L70 @ 100,000 Hrs

Optics

- Flow Forming Aluminum Reflector
- Beam Angle : 40°, 60°, Wide (With diffuser)

Advanced Dimming

- Proprietary VX Driver™ is integrated across all dimming options, delivering video flicker-free performance and full compliance with IEEE 1789.
- Superior 0-10V : dims to 1%, dims to dark
- DMX : High resolution dims to 0.1% (Supports ANSI E1.20 RDM protocol)

New Construction Housing

- Aperture : Ø6.3" (New Construction), Ø7" (Retrofit)
- Height : 8"
- Weight : 13.22 lbs (New Construction), 11.02 lbs (Retrofit)
- Material : Extruded Aluminum (New Construction), High Pressure Aluminum (Retrofit)
- Non-IC Rated, insulation must be kept >1ft from housing
- Oversize Trim : 7.2" (New Construction), 8" (Retrofit)
- Ceiling Cutout : 6.7"
- Maximum Ceiling Thickness : 2"
- Tool-less top access allows service from above and below
- Light engine, optics, and driver(s) accessible from below ceiling
- Goof Ring 8" : Aluminum, standard white finish; O. D. 10"; other size and finish available, please inquire

*Note : C-Channel / Mounting Channels / T-Bar Hangers are purchased from a third party

Warranty

- 5-year limited warranty

Listing

- ETL Damp Location Listed
- FCC
- UKCA

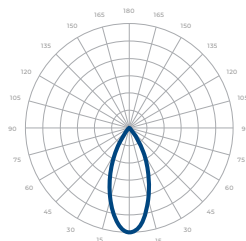
PERFORMANCE SUMMARY*

Warm Dim	1900K					3000K
DMX CCT Signal (%)	7%	20%	40%	60%	80%	100%
0-10V CCT Voltage	0.7	2	4	6	8	10
40W	60lm	270lm	810lm	1,530lm	2,310lm	3,000lm
60W	90lm	390lm	1,175lm	2,220lm	3,350lm	4,950lm
80W	125lm	560lm	1,675lm	3,160lm	4,775lm	6,200lm
100W	150lm	6,85lm	2,050lm	3,875lm	5,850lm	7,600lm

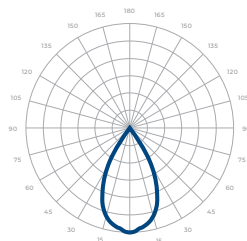
*Beam Angle: 40° *Tolerance ±8%

PHOTOMETRICS

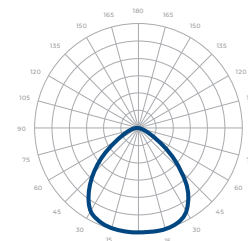
Below is a typical photometric representation of the Rev 6 fixture. Please download IES files to ensure exact photometric value.



40°



60°



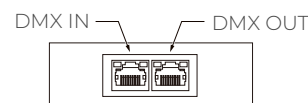
WIDE

DMX REQUIREMENTS

The Rev 6 fixture with DMX is a **single channel dmx** unit that dims both intensity and color temperature between 1900K <-> 3000K. When placing an order, please indicate DMX address. (The DMX address will be listed on the back of the fixture). Do not connect more than 32 fixtures per DMX daisy chain.

The fixture can be connected with RJ45 or XLR sockets. DMX cables **are not** included; please refer to compatible DMX cabling list for more information. The final fixture on each daisy chain should be terminated by the use of a DMX terminator purchased from a 3rd party or from Meteor.

CONNECTION	RJ45 (CAT5e)	5-PIN XLR
Common	WHITE/BROWN(PIN7) & BROWN (PIN 8)	PIN 1
Signal -	ORANGE (PIN 2)	PIN 2
Signal +	WHITE/ORANGE (PIN 1)	PIN 3
Spare	-	PIN 4
Spare	-	PIN 5



RJ45 Sockets



XLR Sockets

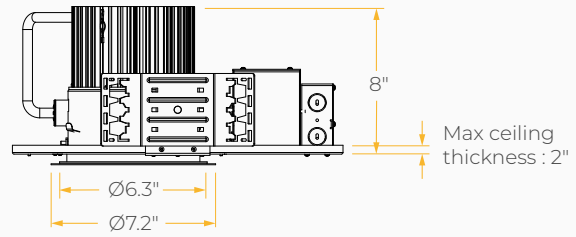
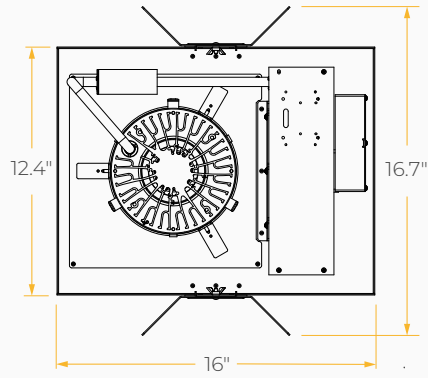
COMPATIBLE DMX CABLING LIST

DMX uses a cable consisting of two twisted pairs plus a shield to carry data. The cable must be specifically impedance matched for the digital DMX signal, meaning that microphone cable or other non-rated cable **must not be used to carry DMX**. Network cable (Cat5, 5e or 6 cable) may be used to carry DMX in an installation; however special consideration must be given to shielding and termination. Under no circumstances should solid core cable like Cat5 be terminated into a screw down connector.

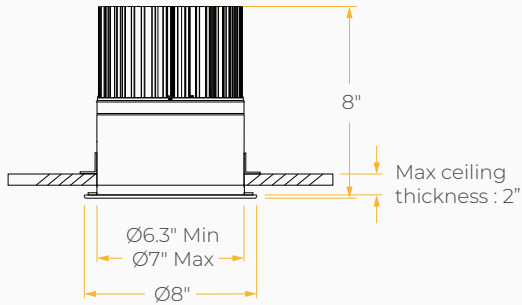
Meteor recommends the use of Belden 9729 or Belden 9841 for DMX installation. Belden 9729/9841 is a two pair cable, which allows for a spare pair for 'out and back' type terminations if needed.

DIMENSIONS

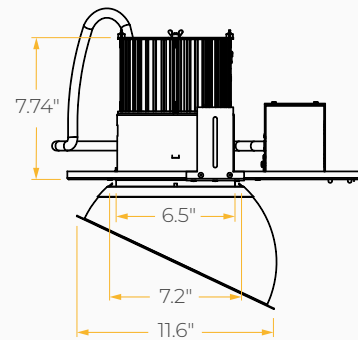
New Construction



Retrofit



Sloped Ceiling Adapter



DIMENSIONS

